



Reliability Testing
TESTING of USP2446

[« Previous](#)

[Continue »](#)

Company Information

- About U. S. Sensor
- Mission Statement
- Newsletter
- Employment Opportunities

Product Guide

- NTC Thermistors
- NTC Probes & Assemblies
- RTD's
- RTD's Probes & Assemblies
- Parametric Search

Technical Data

- What is a thermistor
- Terminology
- Manufacturing Quality

Markets and Applications

Find a Sales Rep/ Distributor

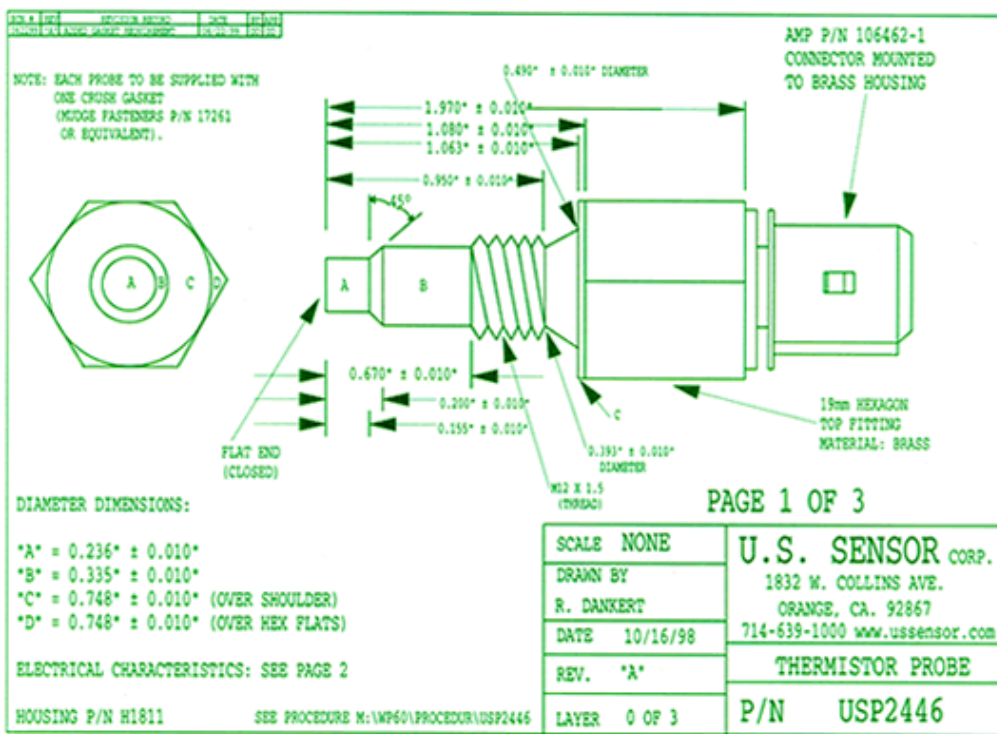
Contact Us

Home

U.S. Sensor
 1832 W. Collins Ave
 Orange, CA 92867
 Tel: 800-777-6467
 Tel: 714-639-1000
 Fax: 714-639-1220
 Email: sales@ussensor.com

Appendix 1

The next few pages outline the test results of Mechanical Shock, Sinusoidal Vibration and Thermal Shock for this device.



[« Previous](#)

[Continue »](#)

[Top ^](#)