



**U.S. SENSOR**  
Corp.

Thermistors, RTDs, Probes & Assemblies

1-800-777-6467

## Surface Mount End-Banded Chip Thermistors 0603 Style

### Company Information

About U. S. Sensor  
Mission Statement  
Newsletter  
Employment Opportunities

### Product Guide

NTC Thermistors  
NTC Probes & Assemblies  
RTD's  
RTD's Probes & Assemblies

### Technical Data

What is a thermistor  
Terminology  
Manufacturing  
Quality

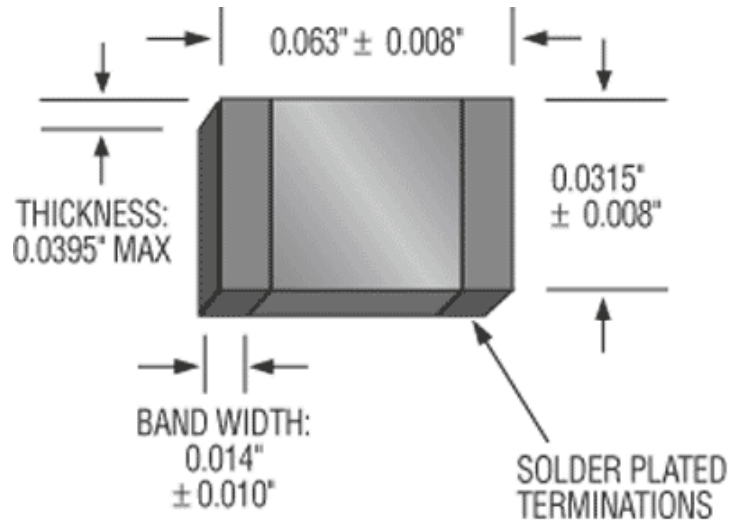
### Markets and Applications

### Find a Sales Rep/ Distributor

### Contact Us

### Home

### "RB" Series



### U.S. Sensor

1832 W. Collins Ave  
Orange, CA 92867

Tel: 800-777-6467

Tel: 714-639-1000

Fax: 714-639-1220

Email: [sales@ussensor.com](mailto:sales@ussensor.com)