



Surface Mount End-Banded Chip Thermistors 0805 Style

Company Information

- [About U. S. Sensor](#)
- [Mission Statement](#)
- [Newsletter \(PDF\)](#)
- [Employment Opportunities](#)

Product Guide

- [NTC Thermistors](#)
- [NTC Probes & Assemblies](#)
- [RTD's](#)
- [RTD's Probes & Assemblies](#)

Technical Data

- [What is a thermistor](#)
- [Terminology](#)
- [Manufacturing Quality](#)

Markets and Applications

Find a Sales Rep/ Distributor

Contact Us

Home

U.S. Sensor
 1832 W. Collins Ave
 Orange, CA 92867
 Tel: 800-777-6467
 Tel: 714-639-1000
 Fax: 714-639-1220
 Email: sales@ussensor.com

U.S. Sensor's surface mount end-banded thermistor elements are designed for use on hybrid substrates, integrated circuits or printed circuit boards. They have a solder coated metallization which is suitable for various contact techniques including wire bond, epoxy or solder. Since they are manufactured using the most advanced equipment and technology available, their dimensional parameters are extremely uniform making the devices especially suitable for use with automatic handling and placement equipment.



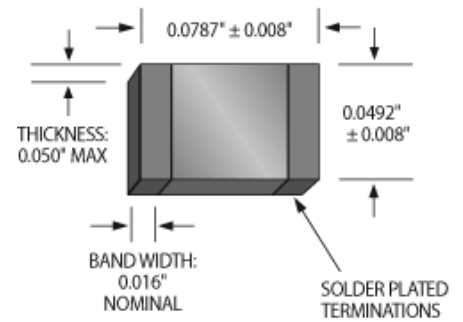
Features

- Surface mountable
- Small size
- Low cost
- Nickel Barrier
- Rated to 125°C operating temperature

Options

- Non-standard resistance values and tolerances
- Special electrode materials
- Special dimensions
- Tape and reel packaging
- Solder coated metallization

"KR" Series



[View Photo](#)

Specifications

- Thermal time constant: 10 seconds max
- Dissipation constant: 1 mW/°C

SURFACE MOUNT END BANDED CHIP THERMISTORS 0805 STYLE (125°C)

Part Number	Resistance Ohms @25°C	* Resistance Tol. ± %	Beta (K) 25-85°C	View R-T Chart
KR501D0J	500	5	3250	View
KR102D0J	1000	5	3250	View
KR252L0J	2500	5	4100	View
KR502F0J	5000	5	3550	View
KR103E0J	10000	5	3435	View
KR103G0J	10000	5	3750	View
KR103J0J	10000	5	3976	View
KR303K0J	30000	5	4000	View
KR503L0J	50000	5	4150	View

KR104R0J	100000	5	4250	
KR204R0J	200000	5	4250	

* Resistance tolerances \pm 1%, 2%, 3% and 10% are available upon request

[« Product Guide](#)

[Top^](#)

[« Previous](#) [Next »](#)