



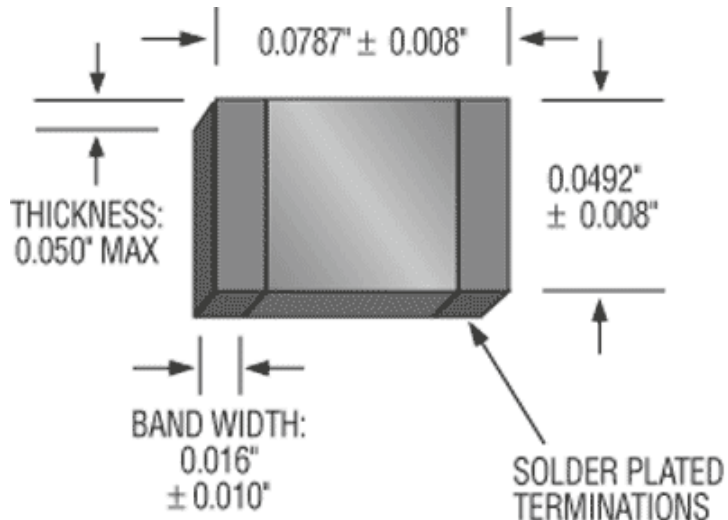
U.S. SENSOR Corp.

Thermistors, RTDs, Probes & Assemblies

1-800-777-6467

Surface Mount End-Banded Chip Thermistors 0805 Style

"KR" Series



Company Information

- About U. S. Sensor
- Mission Statement
- Newsletter
- Employment Opportunities

Product Guide

- NTC Thermistors
- NTC Probes & Assemblies
- RTD's
- RTD's Probes & Assemblies

Technical Data

- What is a thermistor
- Terminology
- Manufacturing
- Quality

Markets and Applications

Find a Sales Rep/ Distributor

Contact Us

Home

U.S. Sensor
 1832 W. Collins Ave
 Orange, CA 92867
 Tel: 800-777-6467
 Tel: 714-639-1000
 Fax: 714-639-1220
 Email: sales@ussensor.com