



**U.S. SENSOR** Corp.

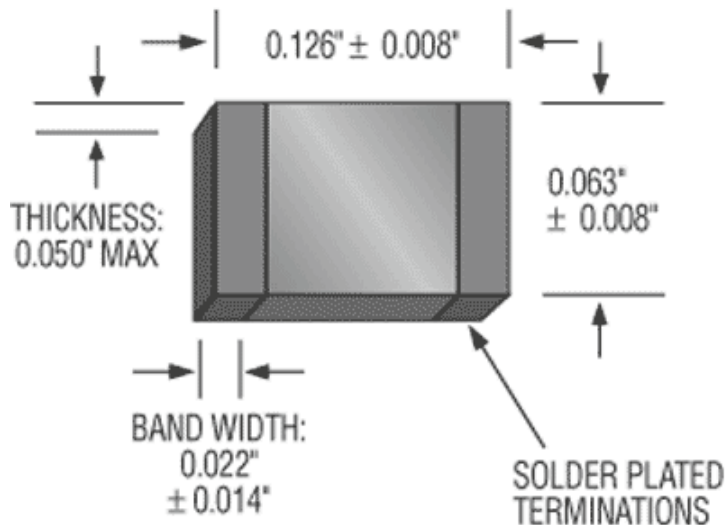
Thermistors, RTDs, Probes & Assemblies

1-800-777-6467

### Surface Mount End-Banded Chip Thermistors 1206 Style

#### "LR" Series

U.S. Sensor Corp.



#### Company Information

- [About U. S. Sensor](#)
- [Mission Statement](#)
- [Newsletter](#)
- [Employment Opportunities](#)

#### Product Guide

- [NTC Thermistors](#)
- [NTC Probes & Assemblies](#)
- [RTD's](#)
- [RTD's Probes & Assemblies](#)

#### Technical Data

- [What is a thermistor](#)
- [Terminology](#)
- [Manufacturing](#)
- [Quality](#)

#### Markets and Applications

#### Find a Sales Rep/ Distributor

#### Contact Us

#### Home

#### U.S. Sensor

1832 W. Collins Ave  
Orange, CA 92867

Tel: 800-777-6467

Tel: 714-639-1000

Fax: 714-639-1220

Email: [sales@ussensor.com](mailto:sales@ussensor.com)