



# U.S. SENSOR Corp.

Thermistors, RTDs, Probes & Assemblies

1-800-777-6467

## Thin Film Platinum RTD Probes and Assemblies Flanged

[« Return](#)



Download Page

Electrical specifications as well as Dimensions "L1", "L2" and "D" are user selectable. Contact U.S. Sensor's [application engineering department](#) to design a probe assembly to best suit your requirements.

### Company Information

- [About U. S. Sensor](#)
- [Mission Statement](#)
- [Newsletter](#)
- [Employment Opportunities](#)

### Product Guide

- [NTC Thermistors](#)
- [NTC Probes & Assemblies](#)
- [RTD's](#)
- [RTD's Probes & Assemblies](#)

### Technical Data

- [What is a thermistor](#)
- [Terminology](#)
- [Manufacturing Quality](#)

### Markets and Applications

### Find a Sales Rep/ Distributor

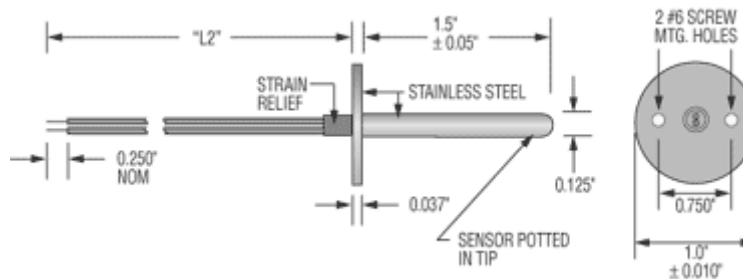
### Contact Us

### Home

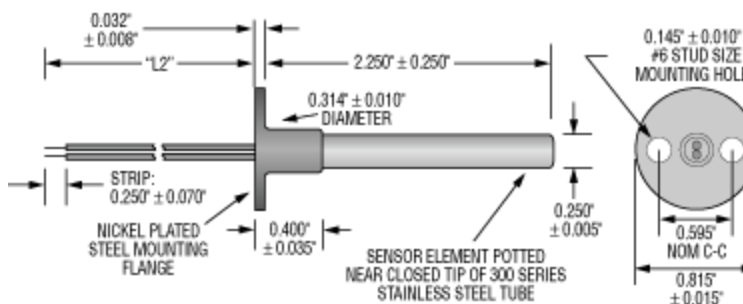
### U.S. Sensor

1832 W. Collins Ave  
 Orange, CA 92867  
 Tel: 800-777-6467  
 Tel: 714-639-1000  
 Fax: 714-639-1220  
 Email: [sales@ussensor.com](mailto:sales@ussensor.com)

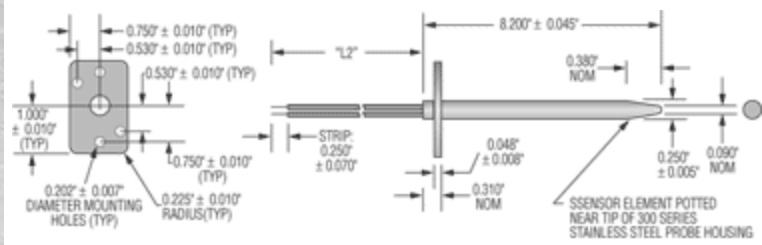
### H1060 Stainless Steel, round flange



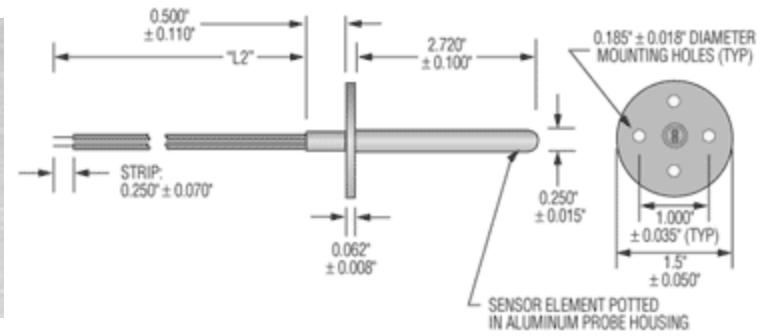
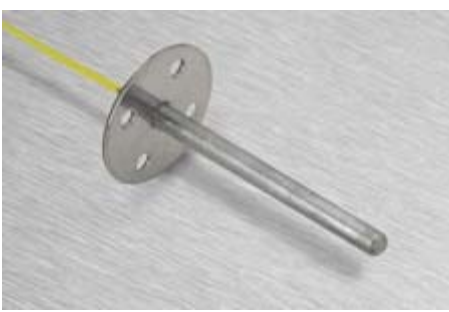
### H3535 Stainless Steel, round flange



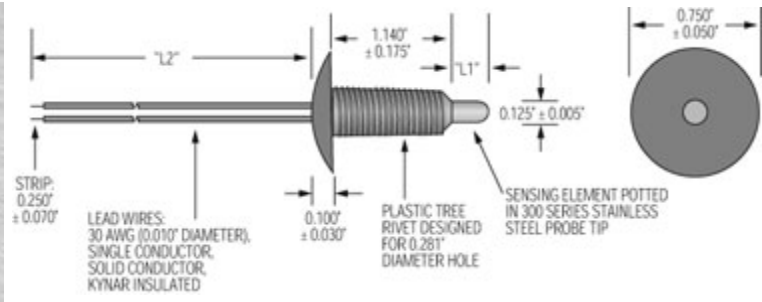
### H3783 Stainless Steel, rectangle flange



**H3964** Stainless Steel, round flange



**H6245** Plastic Tree Rivet with S/S Probe Tip



**H7232** S/S with Round Flange

