



U.S. SENSOR Corp.

Thermistors, RTDs, Probes & Assemblies

1-800-777-6467

Thin Film Platinum RTD Probes and Assemblies Surface Temperature Sensing

[Return](#)



Download Page

Company Information

- [About U. S. Sensor](#)
- [Mission Statement](#)
- [Newsletter](#)
- [Employment Opportunities](#)

Product Guide

- [NTC Thermistors](#)
- [NTC Probes & Assemblies](#)
- [RTD's](#)
- [RTD's Probes & Assemblies](#)

Technical Data

- [What is a thermistor](#)
- [Terminology](#)
- [Manufacturing Quality](#)

Markets and Applications

Find a Sales Rep/ Distributor

Contact Us

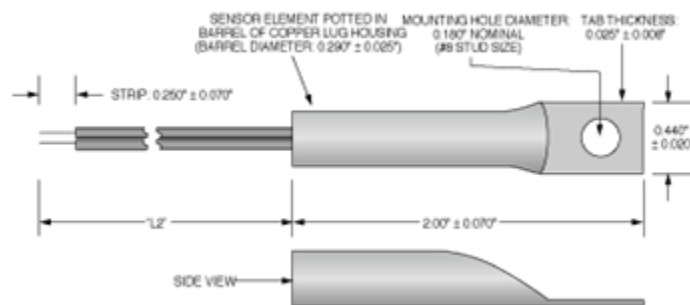
Home

U.S. Sensor

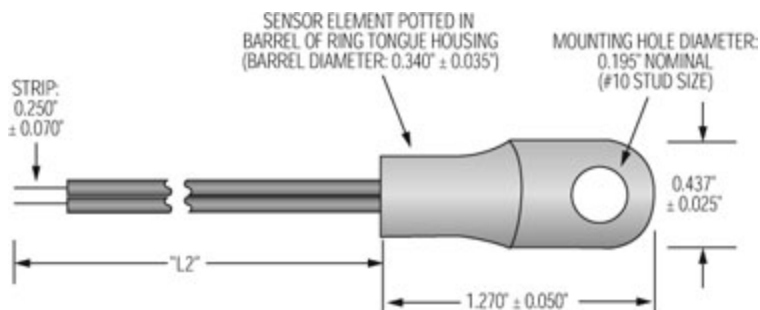
1832 W. Collins Ave
 Orange, CA 92867
 Tel: 800-777-6467
 Tel: 714-639-1000
 Fax: 714-639-1220
 Email: sales@ussensor.com

Electrical specifications as well as Dimensions "L1", "L2" and "D" are user selectable. Contact U.S. Sensor's [application engineering department](#) to design a probe assembly to best suit your requirements.

H3646 Copper Lug



H6262 Ring Lug, High Temperature



[Top ^](#)

[Return](#)

